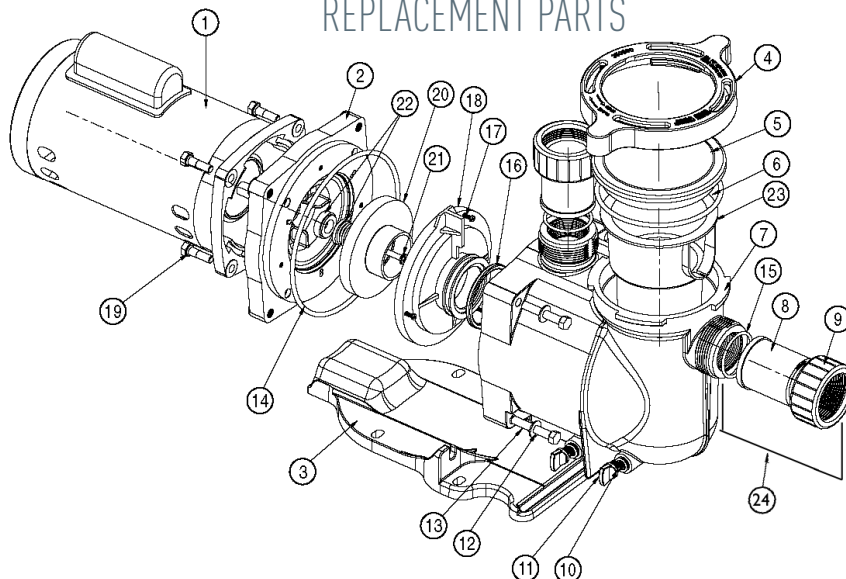


SUPERFLO® PUMP

REPLACEMENT PARTS



Item	Part No.	Description
SINGLE SPEED SUPERFLO MOTORS		
1	355018S	1/2 HP Motor SQFL, 1 Speed, 1 phase, 115/208-230, 60 Hz, almond
1	355018S	3/4 HP Motor SQFL, 1 Speed, 1 phase, 115/208-230, 60 Hz, almond
1	355020S	1 HP Motor SQFL, 1 Speed, 1 phase, 115/208-230, 60 Hz, almond
1	355022S	1-1/2 HP Motor SQFL, 1 Speed, 1 phase, 115/208-230, 60 Hz, almond
1	355024S	2 HP Motor SQFL, 1 Speed, 1 phase, 115/208-230, 60 Hz, almond
1	355026S	2-1/2 HP Motor SQFL, 1 Speed, 1 phase, 208-230, 60 Hz, almond
2 SPEED SUPERFLO MOTORS		
1	355003S	1 HP Motor SQFL, 2 Speed, 1 phase, 60 Hz
1	356630S	1-1/2 HP Motor SQFL, 2 Speed, 1 phase, 60 Hz
1	071320S	2 HP Motor SQFL, 2 Speed, 1 phase, 60 Hz
ENERGY EFFICIENT SUPERFLO MOTORS		
1	355008S	1/2 HP Motor SQFL, 1 Speed, 1 phase, 60 Hz, 115/208-230, almond
1	355008S	3/4 HP Motor SQFL, 1 Speed, 1 phase, 60 Hz, 115/208-230, almond
1	355008S	1 HP Motor SQFL, 1 Speed, 1 phase, 60 Hz, 115/208-230, almond
1	355010S	1.5 HP Motor SQFL, 1 Speed, 1 phase, 60 Hz, 115/208-230, almond
1	355012S	2 HP Motor SQFL, 1 Speed, 1 phase, 60 Hz, 208-230, almond
1	355014S	2.5 HP Motor SQFL, 1 Speed, 1 phase, 60 Hz, 208-230, almond
SUPERFLO PUMPS		
2	356012	Seal plate
3	350094	Base
4	350090	Clamp, Cam & Ramp®
5	350091	Lid

Item	Part No.	Description
6	357255	O-ring, lid No. 2-357
7	350089	Volute
8	350093	Adaptor, 2 req.
9	350092	Nut, 2 req.
10	192115	O-ring drain plug, 2 req.
11	071131	Drain plug, 2 req.
12	355621	Screw, 3/4-16 x 2-1/4 Hex hd, 4 req.
13	072184	Washer, 3/8 in. SS, 4 req.
14	355619	O-ring, 1 req.
15	6020018	O-ring adaptor No.2-226, 2 req.
16	355030	Seal diffuser
17	355334	Screw, No.8-32 hex washer HD, 3 req.
SUPERFLO DIFFUSERS		
18	355617	Diffuser, 1/2 HP
18	355617	Diffuser, 3/4 HP
18	355617	Diffuser, 1 HP
18	355618	Diffuser, 1-1/2 HP
18	355618	Diffuser, 2 HP
18	350170	Diffuser, 2-1/2 HP
19	U30-74SS	Hex head screw, 3/8, 16, 4 req.
SUPERFLO IMPELLERS		
20	355043	Impeller 1/2 HP
20	355043	Impeller 3/4 HP
20	355067	Impeller 1 HP
20	355074	Impeller 1-1/2 HP
20	355086	Impeller 2 HP
20	355093	Impeller 2-1/2 HP
21	355389	Screw, impeller locking
22	354545S	Seal set
23	355667	Basket, large
KITS		
24	350157	Union Kit, items 8, 9 & 15 [2 of each included]
NOT SHOWN		
	79129900	2-Speed Toggle Switch
	400013Z	Motor End Cap and Screw